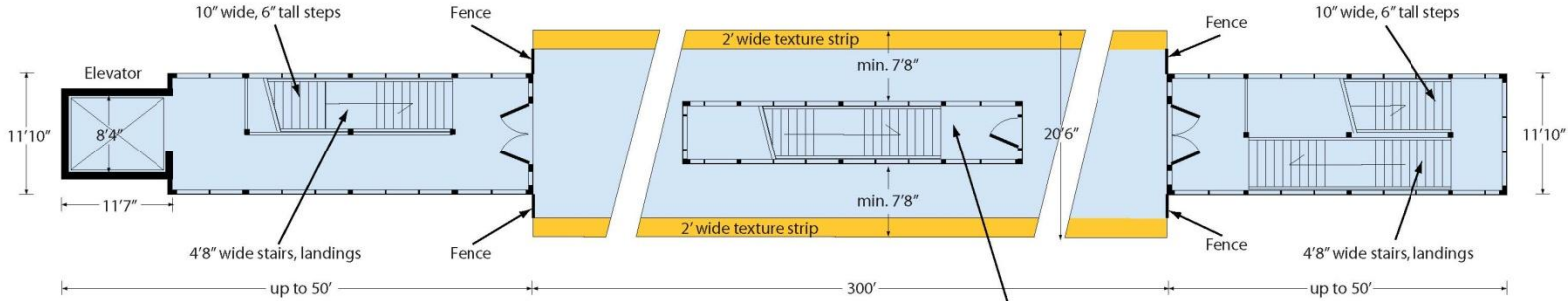


APPENDIX D
STATION PLANS

PROTOTYPE STATION

PLATFORM LEVEL



Mid-platform stair tower requires a design exception (21'6" platform width) to fit

GROUND LEVEL

